

Access Control



We take the worry out of
protecting what's valuable to you.
Lockwood: *no worries*®

LOCKWOOD

ASSA ABLOY

25YEAR

**MECHANICAL
WARRANTY**

www.lockweb.com.au

Contents



Cortex™

Digital Door Lock

page 3



ES634 and ES626

Keypads

page 10

Cortex™ Digital Door Lock



ASSA ABLOY's Lockwood CORTEX™ is leading the evolution of Digital Door Locks. CORTEX™ is a commercial grade Digital Lockset that offers a standalone electronic access solution that can also be easily integrated to existing systems.




Innovative locking coupled with the durability and quality that is synonymous with the Lockwood brand, certifies Cortex as the premium choice for intelligent locking.

Moreover, CORTEX™ is the first Australian digital lockset to be fire rated for 530 latch and Lockwood mortice variants and always has free egress from the inside.

The Lockwood CORTEX™ features ultra-smooth lever action provided by the ergonomic Lever: 77A. Compliant with AS1428.1-2009 (Disabled accessible complaint levers), CORTEX™ has undergone severe vandal testing and has a strength rating of up to SL8.

Product Details			
	CTX530	CTX3772	CTX5782
Finish	SC	SC	SC
Backset	60mm	60mm	30mm
Lever	77A	77A	77A
Door Thickness	35-48mm	35-48mm	35-48mm
Body Material	Zinc Alloy	Zinc Alloy	Zinc Alloy
Override Cylinder	No	Yes	Yes
Upgrade	DX530	DX3572	DX5582
Fire Rating	Yes	Yes	No
Lock Type	530 Tubular Latch *3772, 3572	3772, 3572	5782, 5582

* CTX530 can be installed over standard plate furniture and will operate with 3772, 3572 mortice locks. (No Key override)

Standards and Compliance	
	Successfully tested up to 2 hours on fire door assemblies in accordance with Australian Standard AS1905.1 2005 - Part 1: Fire Resistant Doorsets.
SL8	(Security) Australian Lock Standard (AS4145.2:1993).
DL8	(Durability) Australian Lock Standard (AS4145.2:1993).
	Disabled Accessible. AS1428.1-2009 Lever
	Australian Electrical Regulatory Compliance
CE	European Electric Compliance

Cortex™ Digital Door Lock

Features & Specifications

- Easy Mode or Advance Mode function
- Up to 40,000 operations battery life (Card)
- Add/delete individual users with Master Code
- 40 Card users and 20 PIN Code users
- Cryptic Code Function
- Lockset includes 2 Access Cards (can add up to 40)
- Dual Security Credential requires that two users are present to unlock the door. One user will have PIN Code and the other user will have the Card
- Delayed Unlocked State allows the user extra time to open the door - ideal for elderly or disabled
- Time & Date function allows preference for various Time & Date based features. This has full calendar support including leap year etc.
- Visitor Code allows a PIN Code to be programmed for a certain date period
- One Time PIN is designed to be used once and then automatically expires
- Smart Battery check function; allows users to check the battery level and ignores the false recovery condition of the batteries. This allows the user to accurately determine when a battery replacement is needed.
- Dual Card format allows compatibility of 90% of the world's access control systems. If your existing access control uses Mifare or iClass it can be programmed into CORTEX™ with no effect to your existing system
- Passage Mode allows the users to toggle between standard and passage mode as required
- Timed Passage Mode allows users to keep door unlocked or locked for certain parts of the day

Special Features with Lockwood 3772 and 5782 Mortice Locks

- Code Lockout or privacy function; For use on Mortice versions only; use the cylinder to lockout all electronic users*
- Latch holdback function; For use on Mortice versions only; use the cylinder to activate holdback function for high traffic doors that need to remain open for a part of the day**

*VCam required

**VCam required and activate holdback function under mortice faceplate

Mechanical Features

- Compliant with AS1428.1-2009 (Disabled accessible complaint levers)
- Mechanical Key Code Lockout (mortice version)
- Holdback (mortice version)
- Key Override (mortice version)

Electronic Technical Information

Battery Type	4 x AA Alkaline
RFID Format	iClass & Mifare
Card Read Range	<2cm
Battery Lifetime Card	40,000*
Battery Lifetime Keypad	18,000**
Operating Temperature	-10°C to 65°C
Humidity	>85% Non condensating
Approvals	RCM, CE
Battery Emergency PINS	Yes

Electronic Features

PIN Code Users	20
Card Users	40
Dual Credentials	✓
Set Date & Time	✓
Visitor Code	✓
Passage Mode	✓
Time based Passage Mode	✓
Battery% Check	✓
Smart Battery Low Check	✓
Volume Setting	On / Off
Wrong Code Lock out	1 User
One Time PIN	1 User
Extended Timed User	1 User

* Estimate over a 12-18 month period

** 6 second unlock cycle time

Cortex™ Digital Door Lock

Cortex Technology

CORTEX™ is powered by a fast, yet ultra-low power ARM CORTEX-M3 core processor. Compared to other digital locks on the market, CORTEX™ offers a 20 per cent reduction in standby power consumption and 50 per cent reduction on operational usage. One set of batteries may give you up to 40,000 operations using the key card entry method.

The ultra-durable touch screen is embedded with touch sensors giving you real-time feedback in the form of subtle audible tones. These capacitive touch buttons have no moving parts so they can't wear to reveal your secret PIN.

Underneath each button is an ultra-bright LED, ideal for high and low light conditions.

And finally on top of all this, lies a highly sensitive card reader for the users that prefer a fast access method- with a high security key card credential. The card reader functions on the high security iClass card format or the ever popular Mifare format.

Cortex Functions

The Lockwood CORTEX™ has been engineered for ease of use without compromising on the level of security provided. The unit's advanced features include various levels of security from basic PIN code entry to advanced Dual (PIN + card) entry for ultra-high security applications. The lock function can be as basic or advanced as you need, if you need a simple one code entry it can be setup within 15 seconds. However if you wanted to program multiple users with different codes or allow a temporary visitor to enter, then the easy to follow, instructions will guide you through it. In addition, CORTEX™ is programmable so that the lock can remain locked or unlocked for any given specified date or period of time (as decided by you).

The Lockwood CORTEX™ is available in a range of form factors;

Including the popular 530 Latch option (non key override) and 60mm and 30mm backset variants.

You may also use the 530 version on a mortice lockset and not use the override cylinder feature (Mortice accessory pack is required).



Cortex™ Digital Door Lock

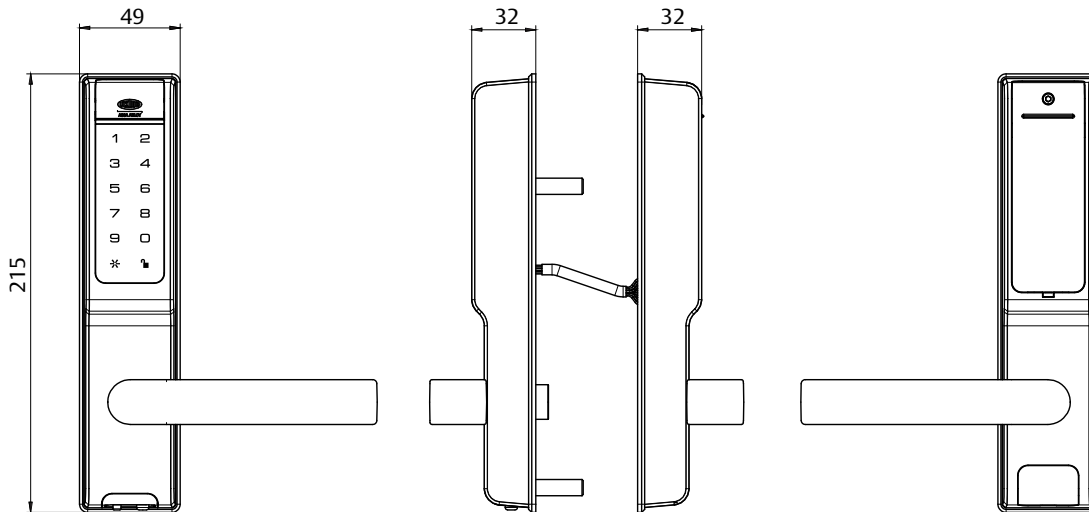
CTX530



Exterior



Interior



Cortex™ Digital Door Lock

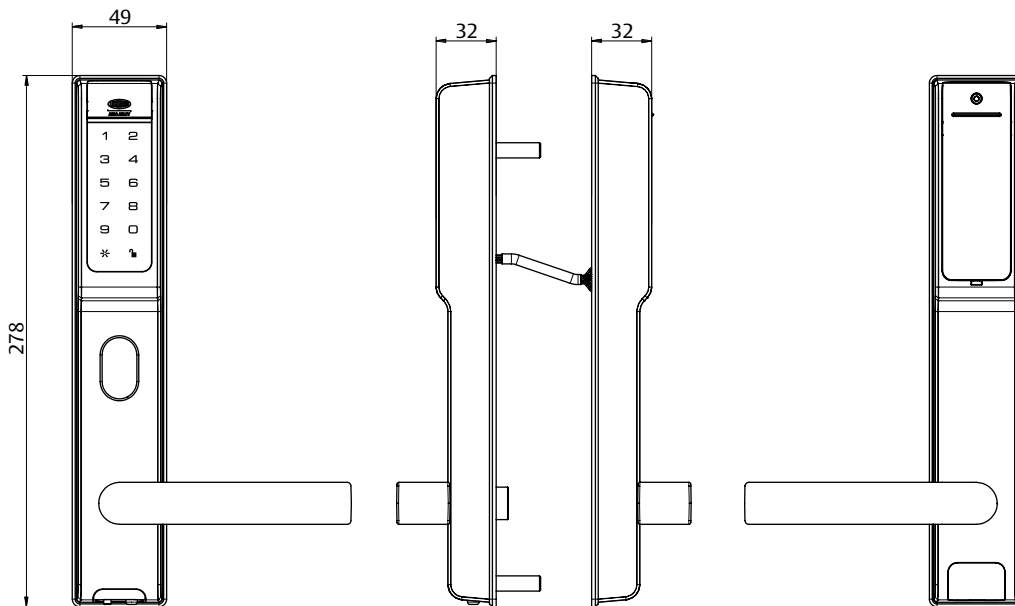
CTX3772



Exterior



Interior



Cortex™ Digital Door Lock

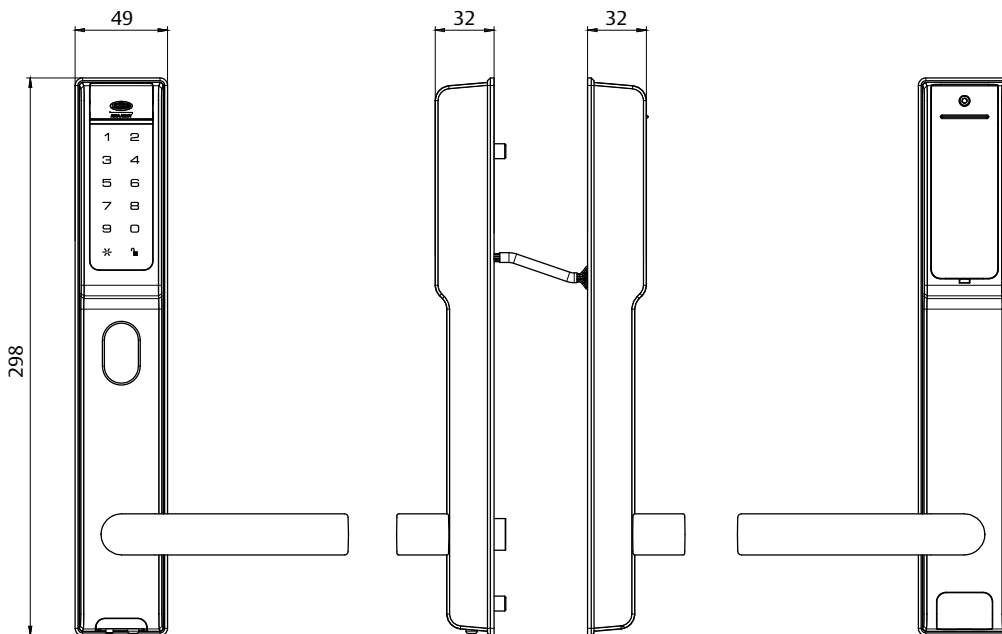
CTX5782



Exterior



Interior



Cortex™ Digital Door Lock Accessories

Ordering Information

Part Number	Product Description
CTX530SC/530	CORTEX ELECTRONIC LOCKSET 530 SC WITH 530 LATCH
CTX3772SC/3772	CORTEX ELECTRONIC LOCKSET 3772 SC WITH 3772 LOCK
CTX5782SC/5782	CORTEX ELECTRONIC LOCKSET 5782 SC WITH 5782 LOCK

Specification Statement

The lockset should have the ability to program time and date into the lock. Thus allowing various time based features; Timed passage mode and timed Visitor Code functions. The lockset should allow for Dual Security credential requires that two users are present to unlock the door with card and PIN.

The electronic lockset should be compatible with iClass and Mifare card formats.

The lockset should have ability for delayed unlocked state that allows the user extra time to open the door. Ideal for elderly or disabled users.

The lockset should have Smart Battery low detection feature that intelligently allows the lockset to ignore battery false battery recovery state.

Spare Parts

Part Number	Product Description
CTXACCPK1	CORTEX 530 ACCESSORY PACK & SCREW COVER
CTXACCPK2	CORTEX 3772 ACCESSORY PACK & SCREW COVER
CTXACCPK3	CORTEX 5782 ACCESSORY PACK & SCREW COVER

Accessories

Part Number	Product Description
CTXCARD-05	CORTEX SPARE CARD 5 PACK
CTXCARD-10	CORTEX SPARE CARD 10 PACK



ES634 and ES626 Keypads



The ES634 and ES626 range of Lockwood Keypads are a complete single door self contained access control system for up to 200 users.

Designed to US military specifications for shock, vibration, temperature and impact these high quality keypads contain the latest in "Piezo" technology. The sensors embedded below the metal surface of the keys on all Lockwood Piezo keypads are made of a ceramic alloy that only requires touch to activate.

Two versions are available: a simple to program stand-alone single door controller for 200 users, and a 26 bit Wiegand protocol keypad.

Features

- No moving parts (solid state Piezo technology)
- Solid metal housing
- Vandal proof, resistant to glue, lighter, knives and gum
- Water proof (ip68) (rain, soft drinks, body fluids, chemical agents)
- Anodised graphics never wear off
- Keypad meets with MIL Standards for shock, vibration, temperature and impact
- Adjustable door open time (from 1-99 seconds)
- Up to 200 user codes (100 million combinations)

5 Year Tricare Warranty (Padde Series)

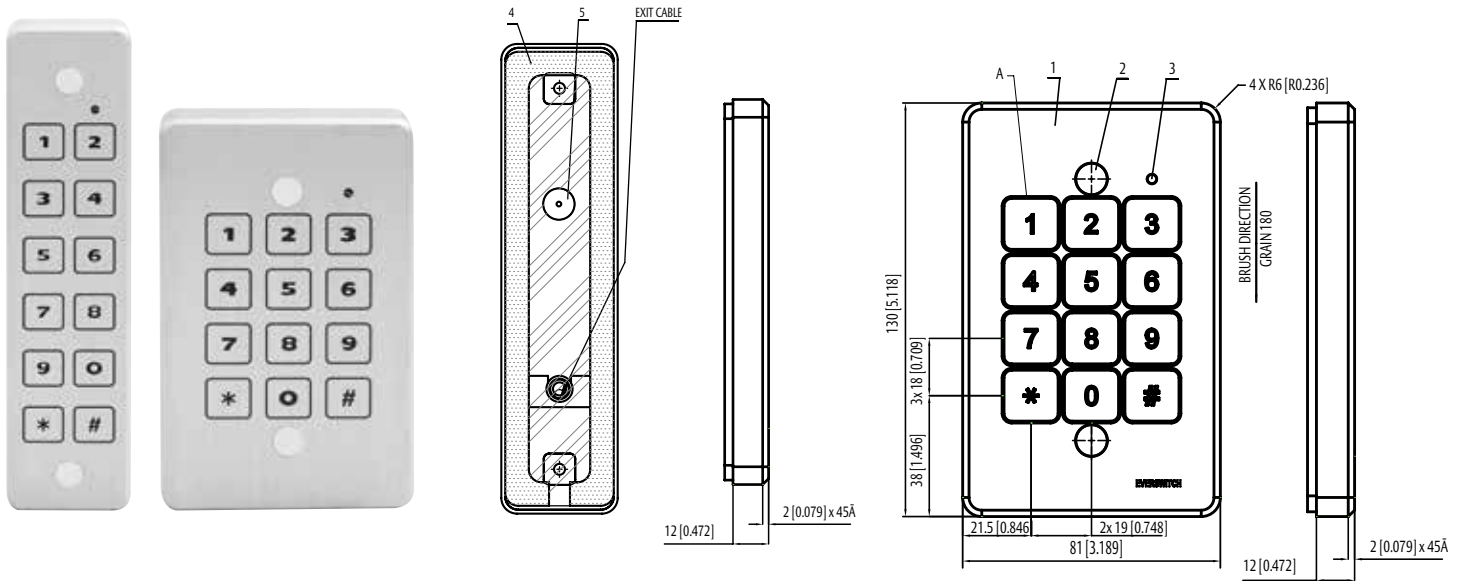
Applications

- Single door access control
- Commercial or residential applications

Product Details

Electrical	12 / 24V AC/DC Heavy Duty Form C Relay
Current	100mA
Mechanical	Meets MIL Standards 810C, 202E, 461B and 462 for shock vibration
Environment	Operational Temperature Range -40°C to + 125°C
Case/Cover	Solid Metal Housing

ES634 and ES626 Keypads



Ordering Information

Part Number	Product Description
ES634	ES634 Keypad Single Door Controller - 200 Users
ES626	ES626 Keypad Single Door Controller - 200 Users
107505-040	ES634-W Wiegand 26 Bit IP68 Keypad (3x4 Keypad)
Accessories	
ES6SC	Keypad Screw Cover Kit

Specification Statement

The keypad must be vandal resistant. The keypad must also have an IP rating not less than IP68. The numerical graphics on the keypad must be laser etched into the surface and the buttons must have no moving, wearing parts. The keypad must meet the MIL Standard for shock and vibration impact.



ASSA ABLOY

Lockwood is the leading brand in the Australian locking industry. With an established reputation for high quality products, this iconic brand provides a wide range of locking solutions to residential housing, commercial, semi-commercial, building and industrial application markets. Lockwood is supported by an extensive distribution and after-sales support network. Our customers include retailers, architects, trade and industrial personnel, locksmiths and security dealers.

ASSA ABLOY is the global leader in door opening solutions, dedicated to satisfying end-user needs for security, safety and convenience.

ASSA ABLOY is represented in all major regions, in both mature and emerging markets, with leading positions in Australia, Europe and North America.

**25YEAR
MECHANICAL
WARRANTY**

The Lockwood 25 Year Mechanical Warranty

Our belief that we manufacture the finest premium products available in today's market place is backed by the Lockwood 25 Year Mechanical Warranty, ensuring that Lockwood continues to keep Australians safe by delivering security and peace of mind.

For warranty terms and conditions, please visit www.lockweb.com.au or call **1300WARRANTY**

**5YEAR
TRICARE
WARRANTY**

The 5 Year Tricare Warranty

Our belief that we manufacture the finest premium products available in today's market place is backed by the 5 Year Tricare Warranty, ensuring that Lockwood continues to keep Australians safe by delivering security and peace of mind.

For warranty terms and conditions, please visit www.lockweb.com.au or call **1300WARRANTY**

PADDE SERIES

**ASSA ABLOY Australia Pty Ltd
235 Huntingdale Road
Oakleigh, Victoria, 3166
Australia**

**1300 LOCK UP (1300 562 587)
lockweb.com.au**

Disclaimer

Whilst every effort has been made to ensure that the information (including product images and drawings) contained in this brochure is accurate at the time of publication, ASSA ABLOY Australia Pty Limited ("ASSA ABLOY") recommends that you consult ASSA ABLOY or its agents prior to placing an order to ascertain current information on specific products, as ASSA ABLOY reserves the right to make changes without notice. ASSA ABLOY will not be liable for any injury, loss or damage whatsoever, arising from any errors or omissions in the information contained in the brochure or arising from the use or application of the information contained herein. © 2016 copyright by ASSA ABLOY All rights reserved

